



WAUSAU

WINDOW AND WALL
SYSTEMS

Esa Gulch Crossing - Earl Swenson Associates

CURTAINWALL and Window Wall



Wausau's curtainwall, window wall, and aluminum sun control systems tower above cities all across America for one very simple reason...

they have set standards for performance, quality and ease of installation for more than 60 years.

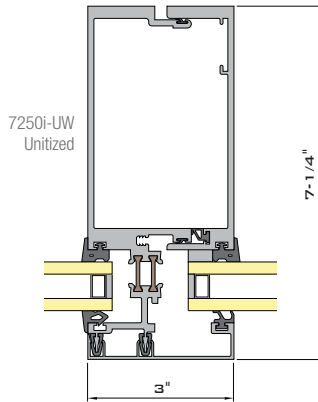
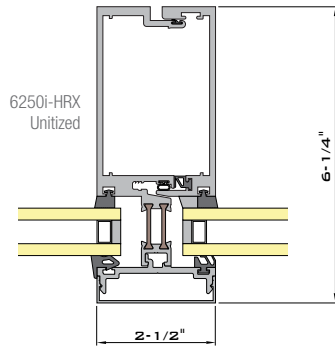
Wausau designers, engineers and technicians ensure system performance, whether you measure it by aesthetics, durability, installation or building comfort. Wausau supports your sustainable design goals and offers an industry-leading warranty of up to 10 years.



INvision 6250i-HR, HRX and 7250i-UW

Factory-assembled and -glazed for ease of installation
High performance polyamide thermal barrier

- ▶ 2-1/2" or 3" face width - 5-1/4" to 8-1/4" frame depth with polyamide thermal barrier
- ▶ Interlocking frame design accommodates seismic, live load, and thermal building movements
- ▶ Pressure-equalized rain screen design
- ▶ Captured, two-side or four-side structural glazed
- ▶ Glazing and sealing in a controlled factory environment
- ▶ Zero sightline vents, exterior sun shades, and interior light shelves available



Jack-bolt anchors allow for full three-way adjustment "off the rig," optimizing hoisting and handling time. Edge-of-slab and top-of-slab anchor base options are available.



Thermally-improved 7250-UW unitized wall also available.

Allowable Air	Water		CRF _f	STC
0.06 cfm/sqft at 6.24 psf	15 psf	0.29 to 0.63 BTU/hr.sqft.°F	73 to 77	32 to 34

Tests results may vary

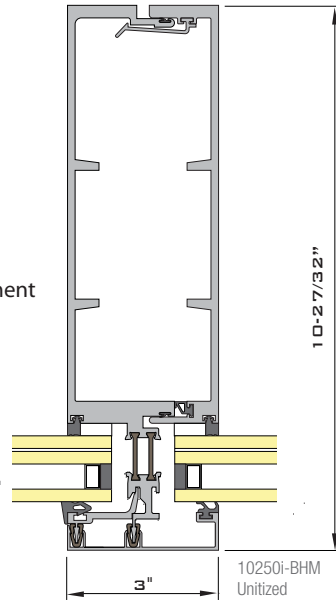
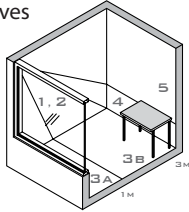
Unitized CurtainWall and sun control



InVision 10250i-BHM

Blast Hazard Mitigating unitized wall
Wausau engineering expertise

- ▶ Blast performance up to 33 psi peak pressure, 81 psi-msec impulse
- ▶ Interlocking frame design accommodates seismic, live load and thermal building movements
- ▶ Structural silicone glazing and sealing in a controlled factory environment
- ▶ Accepts up to 3/4" total vertical movement
- ▶ Exterior sun shades and interior light shelves



GSA-ISC

General Services Administration Inter-Agency Security Committee
"Security Design Criteria for New Federal Office Buildings or Major Modernizations"

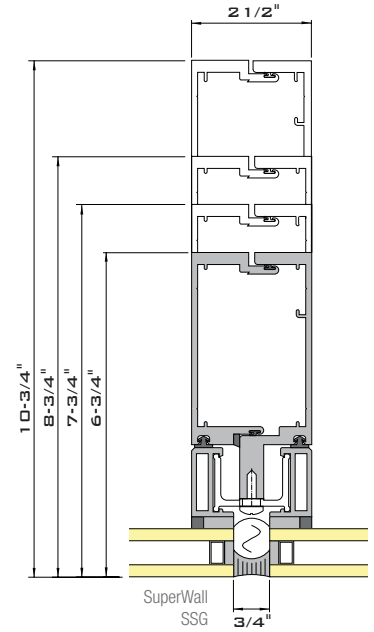
Performance Condition	Protection Level	Hazard Level	Description of Window Glazing Response
1	Safe	None	No glazing breakage or visible damage.
2	Very High	None	Glazing cracks. Dusting of fragments.
3a	High	Very Low	Glazing cracks. Fragments on floor within 1m of window.
3b	High	Low	Glazing cracks. Fragments on floor within 3m of window.
4	Medium	Medium	Glazing cracks. Fragments impact lower 0.6m of wall.
5	Low	High	System fails catastrophically.

NOTE: Determination of peak pressure, impulse, and Performance Condition (to include Hazard Condition and Protection Level) is the responsibility of the Owner's security/blast consultant; not the window/curtainwall manufacturer or installer. Design parameters typically range from 4psi peak and 28 psi-msec impulse, to 10 psi peak and 89 psi-msec impulse.

SuperWall™ SSG Four-Side Silicone

Dramatic all-glass accents . Ideal for atria
Factory-glazed carrier frames

- ▶ 6-3/4", 7-3/4", 8-3/4", or 10-3/4" overall depth (with 1" glass)
- ▶ Narrow 2-1/2" mullions maximize daylight opening
- ▶ Carrier frames glazed in a factory-controlled environment
- ▶ Accepts standard, structural silicone insulating glass units - economical and fast replacements available
- ▶ Stacking mullions accept reinforcing for free-span atrium applications
- ▶ Matching 2-1/2" inside and outside 90 degree corner mullions
- ▶ Field face-sealed
- ▶ Exterior accent trim available



Allowable Air	Water	NFRC U-Factor	CRF _f	STC
0.06 cfm/sqft at 6.24 psf	15 psf	0.37 to 0.55 BTU/hr.sqft.°F	70 to 74	31 to 34

Tests results may vary

www.wausauwindow.com

Download details, specifications,
Revit™ models and product
performance information

UI Campus Recreation and Fitness Center . RDG Planning & Design



Exterior Sun Shades

- ▶ Control solar heat gain and harvest natural daylight to meet sustainable design goals
- ▶ Increase Projection Factor (PF) and decrease solar cut-off angles
- ▶ A variety of pre-engineered configurations
- ▶ Modular design and integral alignment features for ease of installation
- ▶ Thermally-improved mullion attachments
- ▶ Laser- or water-jet, precision-cut, factory-attached end caps
- ▶ Vertical sun shades available for east and west facades

CLEAR STORY™

SUN SHADES AND LIGHT SHELVES



Interior Light Shelves

- ▶ Redirect south daylight off ceiling surfaces so light penetrates farther
- ▶ Control glare at high solar altitudes
- ▶ Diffuse, reflective, upper surfaces maximize light - lower surfaces match decor
- ▶ A variety of pre-engineered configurations
- ▶ Use with sun shades for maximum daylight harvest
- ▶ Shelf depth up to 30"
- ▶ Optional easy-to-clean removable infill panels

ADVANTAGE

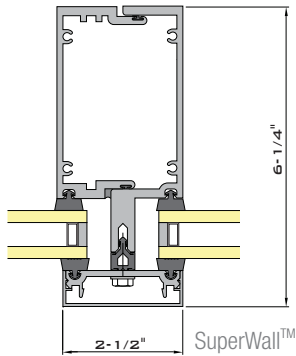
BY WAUSAU

Pre-engineered standard products for competitive pricing and quick delivery



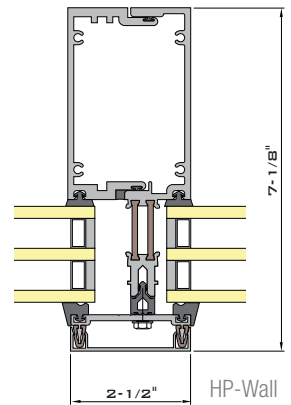
Wausau SuperWall™

Setting the standard for over 30 years
 Factory-assembled . 3/8" thermal barrier
 Optional fiberglass XLT pressure plate



HP-Wall™

Multi-level thermal barrier for R5 performance
 Accepts triple insulating glass
 Familiar pressure wall installation process



- ▶ 2 1/2" exterior sightline - Accent covers available
- ▶ Captured or vertical structural glazed
- ▶ Full 1/8" extrusion wall thickness
- ▶ Splayed mullions available for segmented radii
- ▶ Screw-spline construction
- ▶ Zero sightline vents available
- ▶ Clear Story™ exterior sun shades and interior light shelves available
- ▶ Complete selection of complementary storefront and entrances, including thermal doors

Allowable Air	Water	NFRC U-FACTOR	CRF _f	STC
0.06 cfm/sqft at 6.24 psf	15 psf	0.20 to 0.57 BTU/hr.sqft.°F	67 to 74	31 to 37

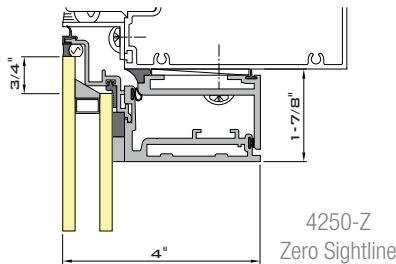
Standard Curtainwall

Window wall and insert vents

3250/4250-Z Zero Sightline

Project-out curtainwall insert vents
 Structural glazed for large sizes

- ▶ 3-1/2" or 4" frame depth
- ▶ Available for two- or four-side structural glazed curtainwall of varying face widths
- ▶ 3250-Z: AAMA AW-60 rated
- ▶ 4250-Z: AAMA AW-90 (awning) AW-100 (casement)
- ▶ Multi-point locking system for single handle operation
- ▶ Concealed stainless steel four-bar friction hinges
- ▶ Mitered frame construction, corner-blocked tubular vents



Allowable Air	Water	NFRC U-Factor	CRF _f	STC
0.06 cfm/sqft at 6.24 psf	15 psf	0.39 to 0.72 BTU/hr.sqft.°F	48 to 58	31 to 34

"INvision," "Clear Story" and "SuperWall" are trademarks of Apogee Wausau Group, Inc. All rights reserved. ©2017 Apogee Wausau Group, Inc.



7800 International Drive
 Wausau, WI 54401
 1.877.678.2983
 info@wausauwindow.com
 wausauwindow.com

